




















P/N 1083952

## Espositore cover e simboli Fingertip Fingertip symbols and covers display

### CONTENUTO ESPOSITORE DISPLAY CONTENT

Cover estetico colorato  
Aesthetic colored cover  
ANSI Z535

Simboli retroilluminati  
Backlit symbols

| P/N   | P/N   |
|---|---|
|  <b>1083711</b><br>42.0139.0040<br>n° 1 Pkg Q.ty: 5   |  <b>1083700</b><br>42.0139.0020<br>n° 2 Pkg Q.ty: 10   |
|  <b>1083712</b><br>42.0139.0044<br>n° 1 Pkg Q.ty: 5   |  <b>1083701</b><br>42.0139.0021<br>n° 1 Pkg Q.ty: 10   |
|  <b>1083713</b><br>42.0139.0045<br>n° 1 Pkg Q.ty: 5  |  <b>1083702</b><br>42.0139.0022<br>n° 1 Pkg Q.ty: 10  |
|  <b>1083714</b><br>42.0139.0046<br>n° 1 Pkg Q.ty: 5 |  <b>1083703</b><br>42.0139.0023<br>n° 1 Pkg Q.ty: 10 |
|  <b>1083715</b><br>42.0139.0047<br>n° 1 Pkg Q.ty: 5 |  <b>1083704</b><br>42.0139.0024<br>n° 1 Pkg Q.ty: 10 |
|  <b>1083716</b><br>42.0139.0048<br>n° 1 Pkg Q.ty: 5 |  <b>1083705</b><br>42.0139.0025<br>n° 1 Pkg Q.ty: 10 |
|  <b>1083717</b><br>42.0139.0049<br>n° 1 Pkg Q.ty: 5 |  <b>1083706</b><br>42.0139.0026<br>n° 1 Pkg Q.ty: 10 |
|  <b>1083718</b><br>42.0139.0050<br>n° 1 Pkg Q.ty: 5 |  <b>1083707</b><br>42.0139.0027<br>n° 1 Pkg Q.ty: 10 |
|   |  <b>1083708</b><br>42.0139.0028<br>n° 1 Pkg Q.ty: 10 |
|   |  <b>1083709</b><br>42.0139.0029<br>n° 1 Pkg Q.ty: 10 |
|   |  <b>1083710</b><br>42.0139.0030<br>n° 1 Pkg Q.ty: 10 |

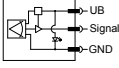
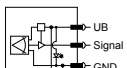
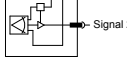
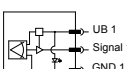
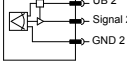


 **COBO** 

P/N 1085477

## Espositore Fingertip Fingertip display

### CONTENUTO ESPOSITORE DISPLAY CONTENT

| P/N  | Posizioni leva<br>Toggle position | Schema elettrico<br>Wiring diagram  |
|--|-----------------------------------|---|
| <b>1078788</b><br>42.0139.1000<br>n° 2 Pkg Q.ty: 1 | NO DETENT                         |   |
| <b>1079439</b><br>42.0139.2000<br>n° 1 Pkg Q.ty: 1 | INCREMENTAL                       |   |
| <b>1079441</b><br>42.0139.3000<br>n° 1 Pkg Q.ty: 1 | DETENT                            |    |
| <b>1082414</b><br>42.0139.4000<br>n° 1 Pkg Q.ty: 1 | CENTRAL<br>DETENT                 |   |
| <b>1079443</b><br>42.0144.1000<br>n° 1 Pkg Q.ty: 1 | NO DETENT                         |   |
| <b>1079445</b><br>42.0144.2000<br>n° 1 Pkg Q.ty: 1 | INCREMENTAL                       |  |
| <b>1079447</b><br>42.0144.3000<br>n° 1 Pkg Q.ty: 1 | DETENT                            |  |
| <b>1082416</b><br>42.0144.4000<br>n° 1 Pkg Q.ty: 1 | CENTRAL<br>DETENT                 |   |
| <b>1079449</b><br>42.0145.1000<br>n° 1 Pkg Q.ty: 1 | NO DETENT                         |   |
| <b>1079451</b><br>42.0145.2000<br>n° 1 Pkg Q.ty: 1 | INCREMENTAL                       |  |
| <b>1079453</b><br>42.0145.3000<br>n° 2 Pkg Q.ty: 1 | DETENT                            |  |
| <b>1082419</b><br>42.0145.4000<br>n° 1 Pkg Q.ty: 1 | CENTRAL<br>DETENT                 |   |

